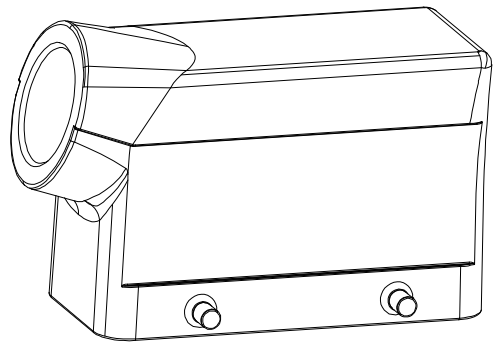
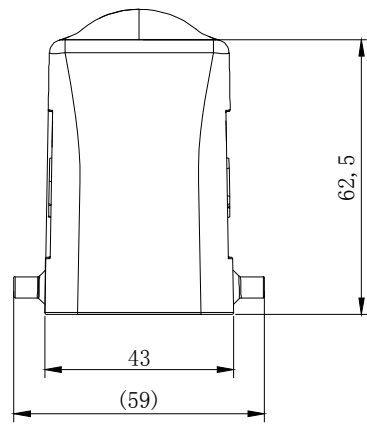
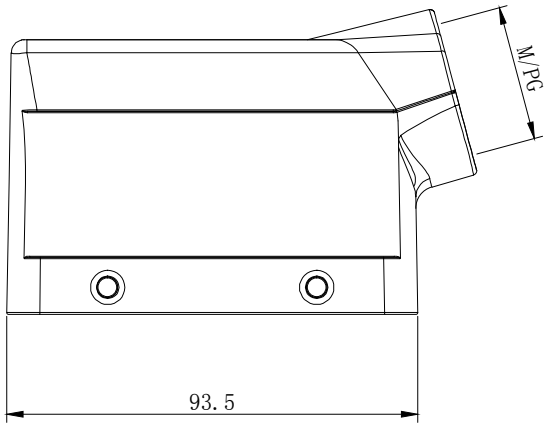


序号	型号 (Type)	料号 (PART NO)	螺纹规格 Thread size
1	H16B-SE-4B-M25	19300161521	M25
2	H16B-SE-4B-M32	19300161522	M32
3	H16B-SE-4B-PG21	09300161520	PG21



技术参数：
 - 材料：压铸铝
 - 表面处理：粉末喷涂
 - 颜色：Grey (灰色)
 - 温度范围：-40℃ - +125℃
 - 防护等级：IP65 (连锁状态, IEC 60529)
 - 出线方向：侧出线
 - 出线孔数：1
 - 螺纹规格：M/PG

Technical specification:
 - Material: Aluminium die-cast
 - Surface: powder-coated
 - Colour: (grey)
 - Temperature range:
 -40℃ - +125℃
 - Degree of Protection: IP65
 (acc.to IEC 60529 for coupled connector)
 - Cable entry: side entry
 - No. of cable entries: 1
 - Thread size: M/PG

浙江昊科电气有限公司 ZHEJIANG HAOKE ELECTRICAL CO., LTD		图号 Drawing No:		/			
产品代号 Part Code:		H16B-SE-4B-M/PG		产品料号 PART NO:			
Date:	2019.02.10	Scale	REV	Weight	Qty	Drawn:	SHEET
	All Dimensions in mm Original Size DIN A 4	1:1.5	HK-1	/	/	Tang	1/1