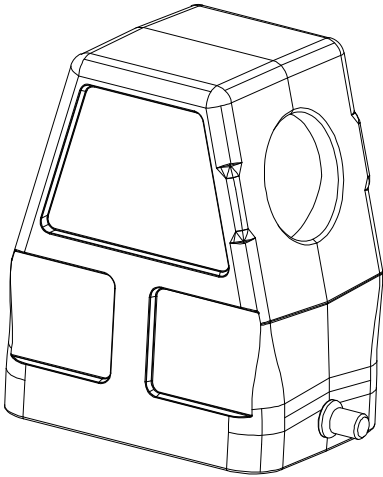


技术参数:
 - 材料: 压铸铝
 - 表面处理: 粉末喷涂
 - 颜色: Grey (灰色)
 - 温度范围: -40℃ - +125℃
 - 防护等级: IP65 (联锁状态, IEC 60529)
 - 出线方向: 侧出线
 - 出线孔数: 1
 - 螺纹规格: M25

Technical specification:
 - Material: Aluminium die-cast
 - Surface: powder-coated
 - Colour: (grey)
 - Temperature range:
 -40℃ - +125℃
 - Degree of Protection: IP65
 (acc.to IEC 60529 for coupled connector)
 - Cable entry: side entry
 - No. of cable entries: 1
 - Thread size: M25



ZJKK 浙江昊科电气有限公司 ZHEJIANG HAOKE ELECTRICAL CO.,LTD		图号 Drawing No:		/			
产品代号 Part Code: H6B-SEH-2B-M25		产品料号 PART NO:		19300060546			
Date:	2018.08.10	Scale	REV	Weight	Qty	Drawn:	SHEET
	All Dimensions in mm Original Size DIN A 4	1:1	HK-1	/	/	Tang	1/1