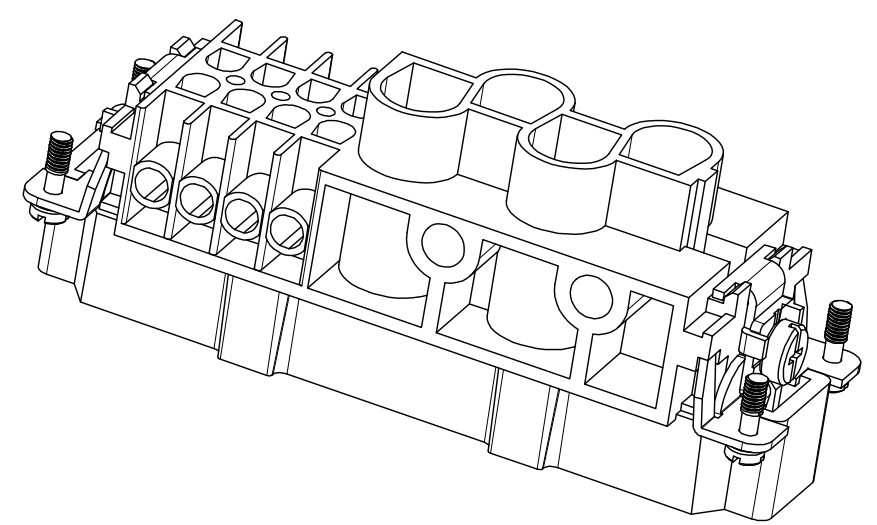
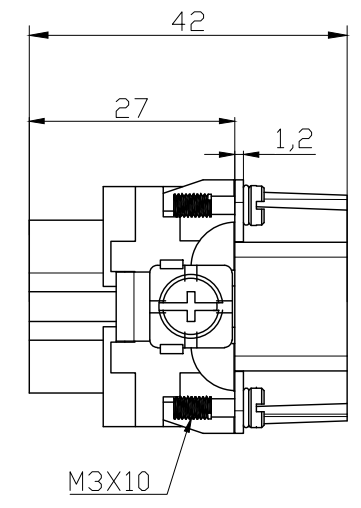
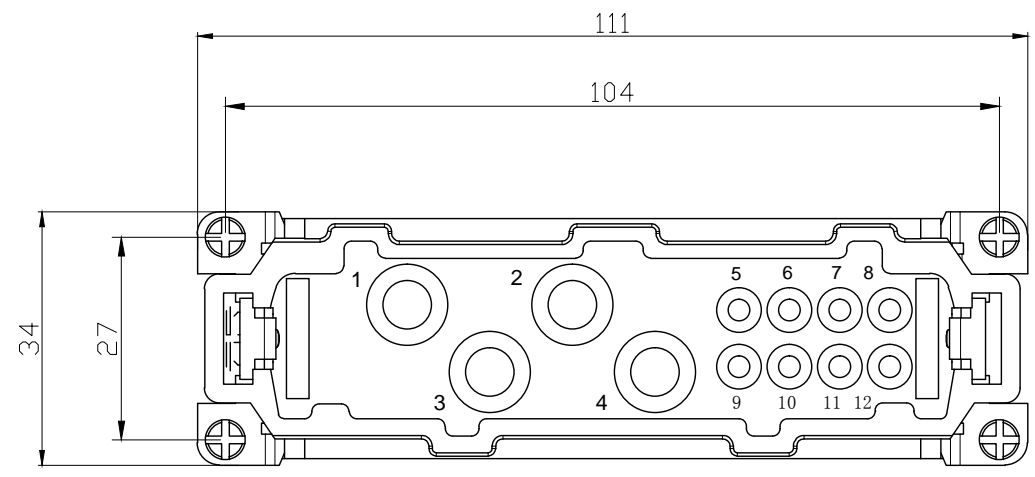

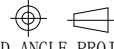



8 7 6 5 4 3 2 1

| REVISION RECORD | | | | |
|-----------------|-----|-------------|------|------|
| REV | ECN | DESCRIPTION | DRFT | DATE |



| | | | | | |
|--|-----------|---|----------------------|-------|------|
| DETACHED LISTS | PART NO: |  浙江昊科电气有限公司 ZHEJIANG HAOKE ELECTRICAL CO.,LTD | | | |
| | APPD: | NAME: HK-004/8-M | | | |
| | CHKD: | TITLE: ASSEMBLY DRAWING | | REV | HK-1 |
| | DRFT: QWF | DRAWING NO: HK-004/8-M | | SHEET | 1/1 |
|  THIRD ANGLE PROJECTION | |  MM (INCH) | DO NOT SCALE DRAWING | SCALE | 1:1 |

8 7 6 5 4 3 2 1