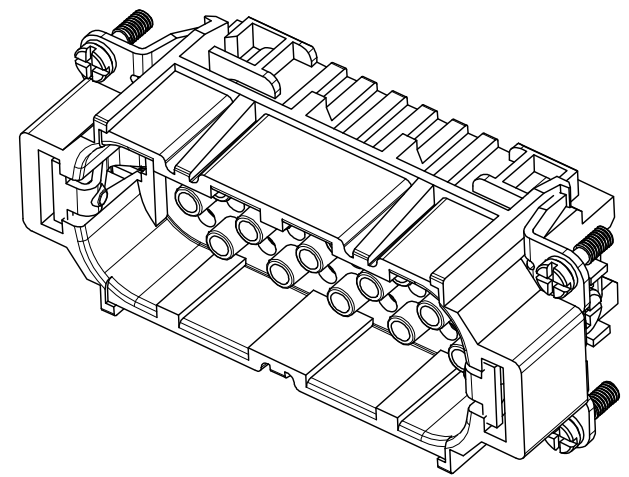
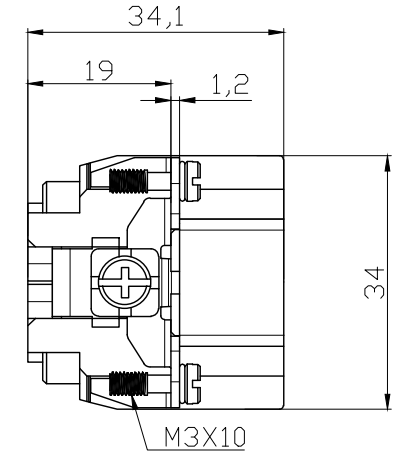
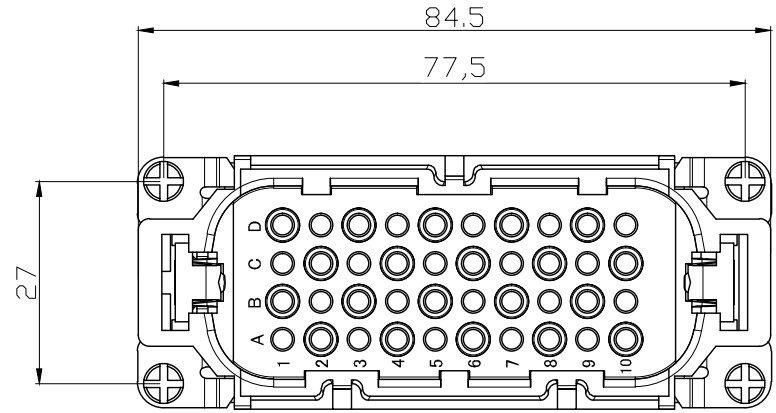


REVISION RECORD				
REV	ECN	DESCRIPTION	DRFT	DATE



DETACHED LISTS	PART NO:	ZJK 浙江昊科电气有限公司 ZHEJIANG HAOKE ELECTRICAL CO.,LTD			
	APPD:	NAME: HD-040-MC			
	CHKD:	TITLE: ASSEMBLY DRAWING			
	DRFT: QWF	DRAWING NO: HD-040-MC		REV	HK-1
	 THIRD ANGLE PROJECTION	 MM (INCH) DO NOT SCALE DRAWING		SHEET	1/1
			SCALE	1:1	