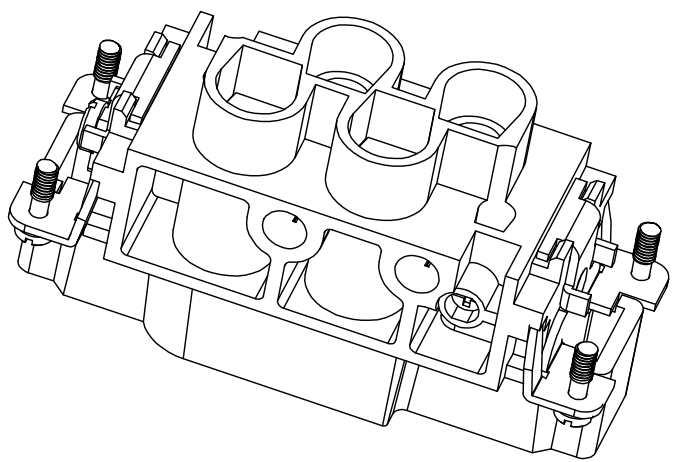
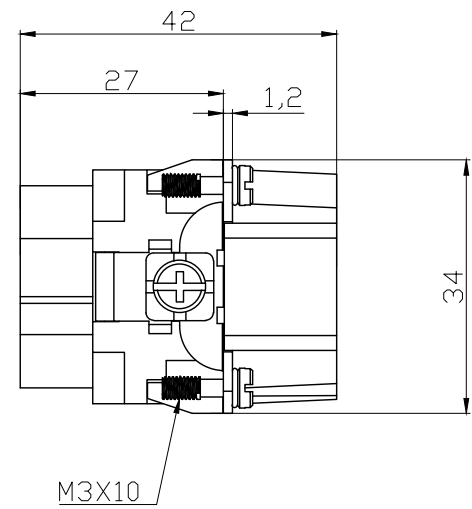
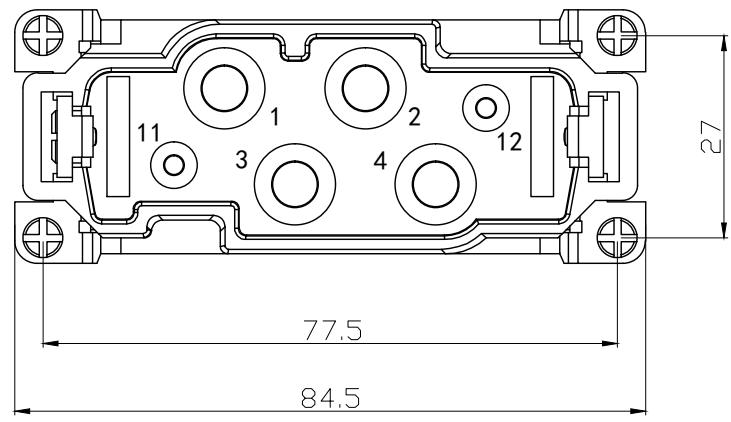

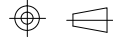



REVISION RECORD				
REV	ECN	DESCRIPTION	DRFT	DATE



DETACHED LISTS	PART NO:	 浙江昊科电气有限公司 ZHEJIANG HAOKE ELECTRICAL CO.,LTD			
	APPD:	NAME: HK-004/0-M			
	CHKD:	TITLE: ASSEMBLY DRAWING			
	DRFT: QWF	DRAWING NO: HK-004/0-M		REV	HK-1
	 THIRD ANGLE PROJECTION	 MM (INCH)	DO NOT SCALE DRAWING	SHEET	1/1