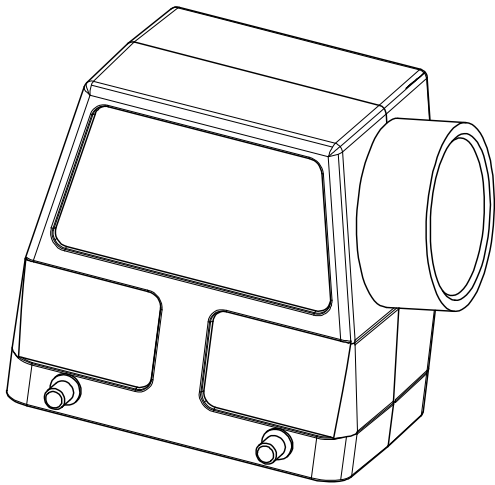
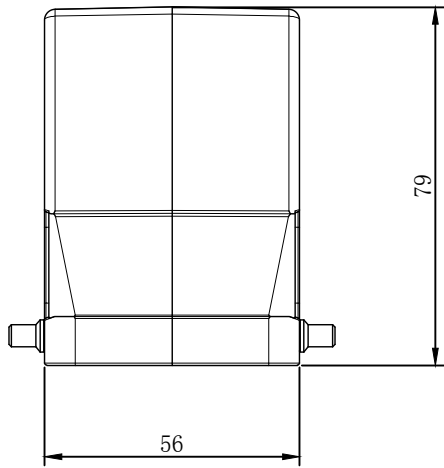
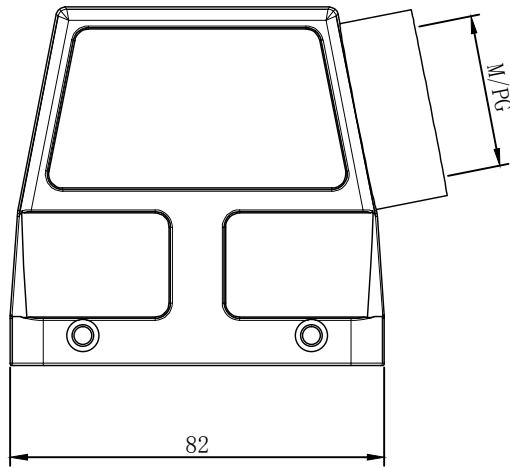


序号	型号 (Type)	料号 (PART NO)	螺纹规格 Thread size
1	H32A-SEH-4B-M32	19200320527	M32
2	H32A-SEH-4B-PG21	09200320520	PG21
3	H32A-SEH-4B-PG29	09200320521	PG29



技术参数:

- 材料: 压铸铝
- 表面处理: 粉末喷涂
- 颜色: Grey (灰色)
- 温度范围: -40℃ - +125℃
- 防护等级: IP65 (联锁状态, IEC 60529)
- 出线方向: 侧出线
- 出线孔数: 1
- 螺纹规格: M/PG

Technical specification:

- Material: Aluminium die-cast
- Surface: powder-coated
- Colour: (grey)
- Temperature range: -40℃ - +125℃
- Degree of Protection: IP65 (acc.to IEC 60529 for coupled connector)
- Cable entry: side entry
- No. of cable entries: 1
- Thread size: M/PG

浙江昊科电气有限公司 ZHEJIANG HAOKE ELECTRICAL CO.,LTD		图号 Drawing No:		/			
产品代号 Part Code: H32A-SEH-4B-M/PG		产品料号 PART NO:		/			
Date:	2018.08.16	Scale	REV	Weight	Qty	Drawn:	SHEET
	All Dimensions in mm Original Size DIN A 4	1:1.5	HK-1	/	/	Tang	1/1