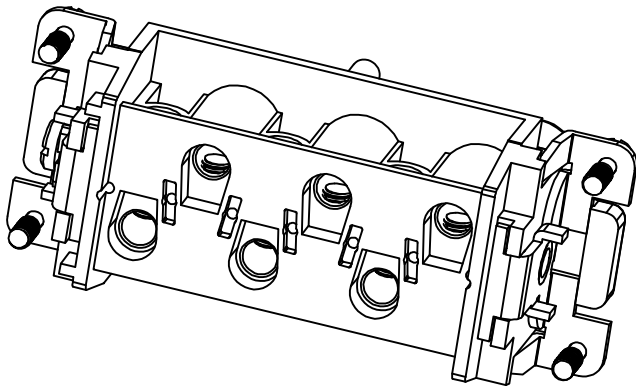
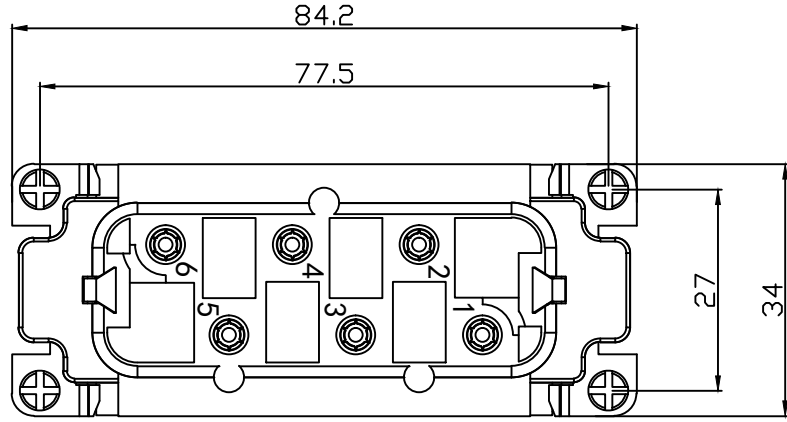
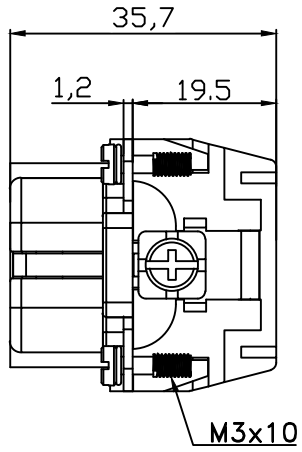





REVISION RECORD				
REV	ECN	DESCRIPTION	DRFT	DATE



DETACHED LISTS	PART NO:		 浙江昊科电气有限公司 ZHEJIANG HAOKE ELECTRICAL CO., LTD		
	APPD:		NAME: HSB-006-F		
	CHKD:		TITLE: ASSEMBLY DRAWING		
	DRFT:		DRAWING NO: HSB-006-F	REV	HK-1
	 THIRD ANGLE PROJECTION			DO NOT SCALE DRAWING	SHEET 1/1
		SCALE	1:1		